



ELECTRICAL DATA(STC)

Model Type	YH300W-30M	YH310W-30M	YH320W-30M
Peak Power(Pmax)	300	310	320
Maximum Power Voltage(Vmp)	32.62	33.48	34.15
Maximum Power Current(Imp)	9.198	9.26	9.37
Open Circuit Voltage(Voc)	38.21	39.22	40
Short Circuit Current(Isc)	9.72	9.78	9.9
Module Efficiency(%)	18.4	19.05	19.7

* STC: irradiance 1000 W/m², AM 1.5, G and cell temperature of 25°C

ELECTRICAL DATA(NOCT)

Peak Power(Pmax)	225	233	240
Maximum Power Voltage(Vmp)	30	30.8	31.41
Maximum Power Current(Imp)	7.5	7.56	7.64
Open Circuit Voltage(Voc)	35.14	36.08	36.79
Short Circuit Current(Isc)	7.92	7.99	8.07

* NOCT: irradiance 800 W/m², AM 1.5G, ambient temperature 20°C, wind speed 1 m/s

TEMPERATURE & MAXIMUM RATING

Maximum System Voltage(V)	1000
Maximum Series Fuse Rating(A)	15
Power Tolerance	0 ~ +3 %
Pmax Temperature Coefficients(W/°C)	-0.360 %
Voc Temperature Coefficients(V/°C)	-0.290 %
Isc Temperature Coefficients(A/°C)	+0.048 %
NOCT Nominal Operating Cell Temperature(°C)	45±2
Operating and Storage Temperature(°C)	-40 ~ +85

MECHANICAL CHARACTERISTICS

Cell Type	156.75x156.75 Mono
No. of Cells	60(6x10)
Dimensions	1640x992x35
Weight	17.1kg
Front Glass	3.2mm high transmission, low iron, tempered glass
Frame	Anodized Aluminium Alloy
Junction box	IP65/IP67
Output cables	4mm ² cable 90cm+mc4
MaxWind Load/Snow Load	2400Pa/5400Pa

PACKING WAY

20FT	14 Packages/400pcs
40HQ	28 Packages/924PCS

QUALIFICATIONS AND CERTIFICATES



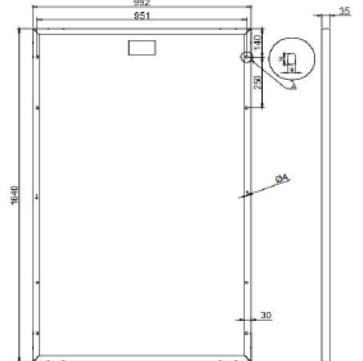
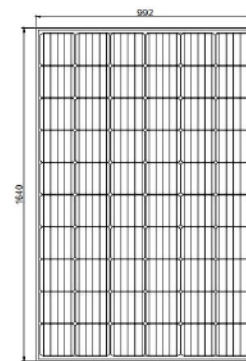
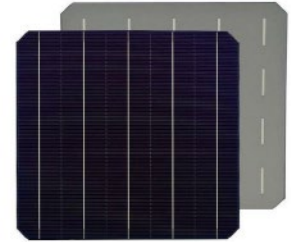
12 YEARS

Guarantee on product material and workmanship

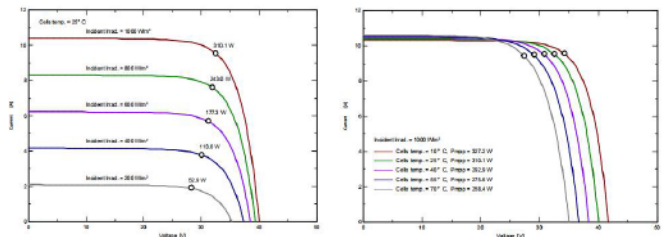
25 YEARS

Linear Power output warranty

PV DRAWINGS



IV CURVE



WARRANTY



Please Scan Code

STC Irradiance 1000W/m² Cell Temperature 25°C AM=1.5
 NOCT Irradiance 800W/m² Ambient Temperature 20°C AM=1.5